

# THE BAINBRIDGE LEVER

designed by Cutler Anderson Architects



REVEAL DESIGNS®

LEVERS & KNOBS

# THE BAINBRIDGE LEVER

designed by Cutler Anderson Architects



Image 1 (#100-32D)



Image 2 (#100-10B)



Image 3 (#100-WW)

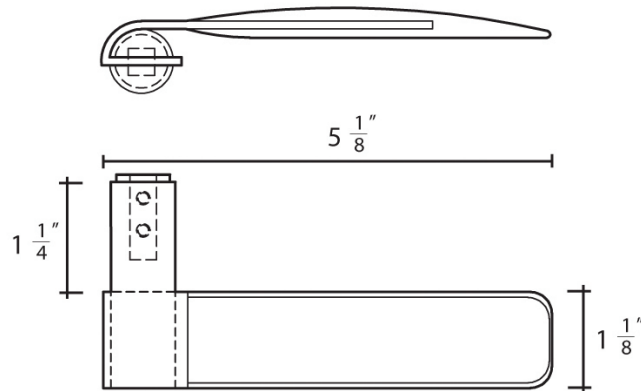


Image 4 (#100-BW)

## DESIGN AND FUNCTION

- Mechanics revealed by handle wrapping around and through spindle
- Grip is designed to fit hand perfectly
- Wood handle versions warm to the touch
- Metal handle versions installed on both interior and exterior doors
- Functions with tubular latches and mortise locks (not recommended or warranted for multipoint doors)
- Handcrafted and designed in U.S.A.
- U.S. Patent No. D542113

## DIMENSIONS AND FIGURES



### Product No. 100

\* Functions with 8mm on Square Spindle

## AVAILABLE IN

- Beech / Stainless Steel (Image 4)
- Walnut / Stainless Steel (Image 3)
- All Stainless Steel (Darker Sandblasted grip) (Image 1)
- Oil Rubbed Bronze / Stainless Steel (Image 2)
- Anodized Aluminum / Stainless Steel

All Stainless Steel components manufactured using No. 304 Stainless Steel

All Oil Rubbed Bronze components manufactured from a silicon bronze base with a live finish

Custom Metals and Woods Available Upon Request



Ability to manufacture hardware to LEED certification standards

[products@reveal-designs.com](mailto:products@reveal-designs.com)

[www.reveal-designs.com](http://www.reveal-designs.com)

914 220 0277



REVEAL DESIGNS®

LEVERS & KNOBS