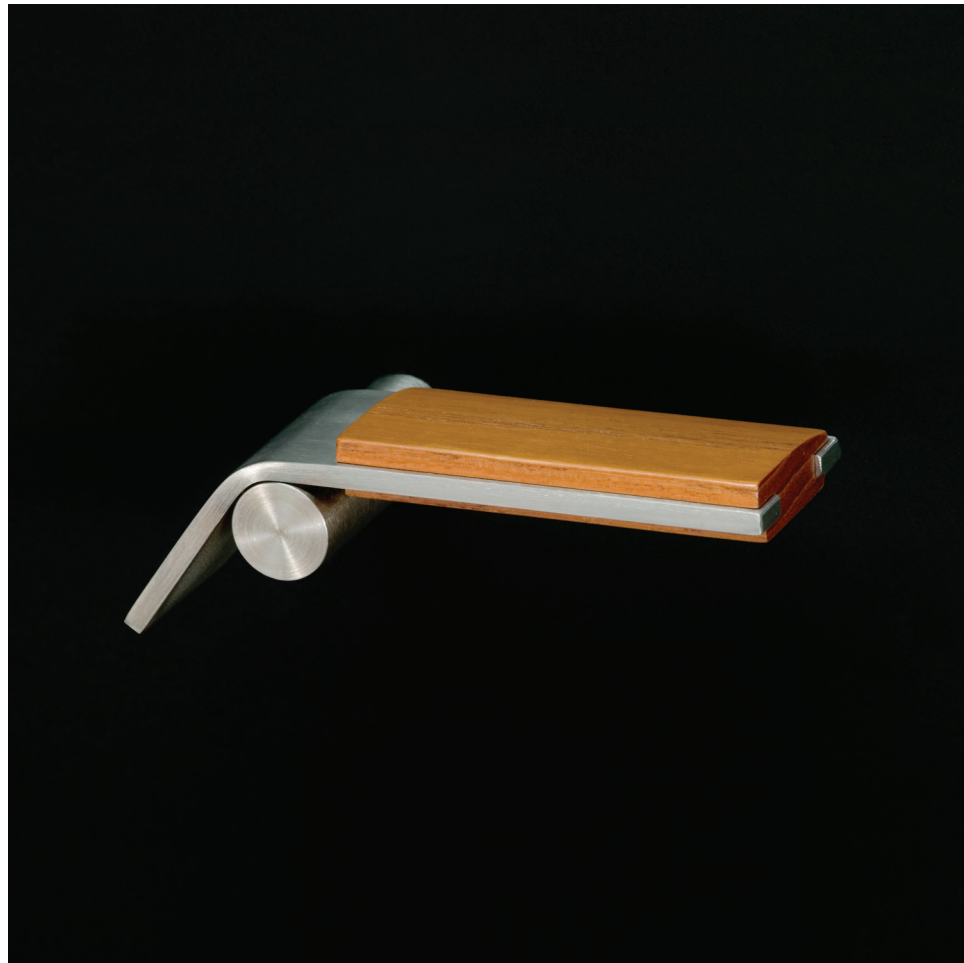


# THE CYPRESS LEVER

designed by Cutler Anderson Architects



REVEAL DESIGNS®

LEVERS & KNOBS

# THE CYPRESS LEVER

designed by Cutler Anderson Architects

## DESIGN AND FUNCTION



Image 1 (#105-10B)

- Designed to reveal mechanics of lever
- Tapered grip fits hand ideally
- Handle wraps over spindle
- Wood handle versions warm to the touch
- Metal handle versions installed on both interior and exterior doors
- Functions with tubular latches, mortise and multipoint locks
- Handcrafted and designed in U.S.A.



Image 2 (#105-10B)

## DIMENSIONS AND FIGURES

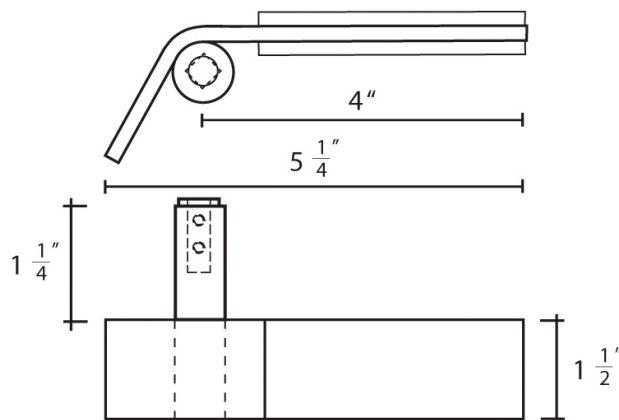


Image 3 (#105-WW)

## Product No. 105

\* Functions with 8mm on Square Spindle

## AVAILABLE IN

- Beech / Stainless Steel
- Walnut / Stainless Steel (Image 3)
- All Stainless Steel (Darker Sandblasted grip)
- Oil Rubbed Bronze / Stainless Steel (Images 1 & 2)
- Anodized Aluminum / Stainless Steel
- Cherry / Stainless Steel (Image 4) (Custom Wood)



Image 4 (#105-CW)

All Stainless Steel components manufactured using No. 304 Stainless Steel  
All Oil Rubbed Bronze components manufactured from a silicon bronze base with a live finish  
Custom Metals and Woods Available Upon Request



Ability to manufacture hardware to LEED certification standards

[products@reveal-designs.com](mailto:products@reveal-designs.com)

[www.reveal-designs.com](http://www.reveal-designs.com)

914 220 0277



REVEAL DESIGNS®

LEVERS & KNOBS