



www.specialtydoors.com  
 Email: info@specialtydoors.com

228 Nevada Street • El Segundo, CA 90245 TOLL FREE 866-815-8151 Phone: 310-648-7601 Fax: 310-648-7607

FAST SERVICE • LOWEST PRICE • FREE SHIPPING

## Reproduction Antique Barn Door Hardware

We manufacture our heavy-duty hardware in Connecticut. It replicates original hardware in use since the 1800's. Roller assembly and hardware are made from steel and machined castings with a stainless steel axel. Large and medium roller wheels have 5 spokes while small wheels are solid. Track is 1/4" x 1-1/4" steel bar stock. Track standoffs are machined castings. Finish is black, exterior grade, powder coat.

Hardware is suitable for doors up to 2" thick. Track standoffs can be padded out if needed to accommodate thicker doors.

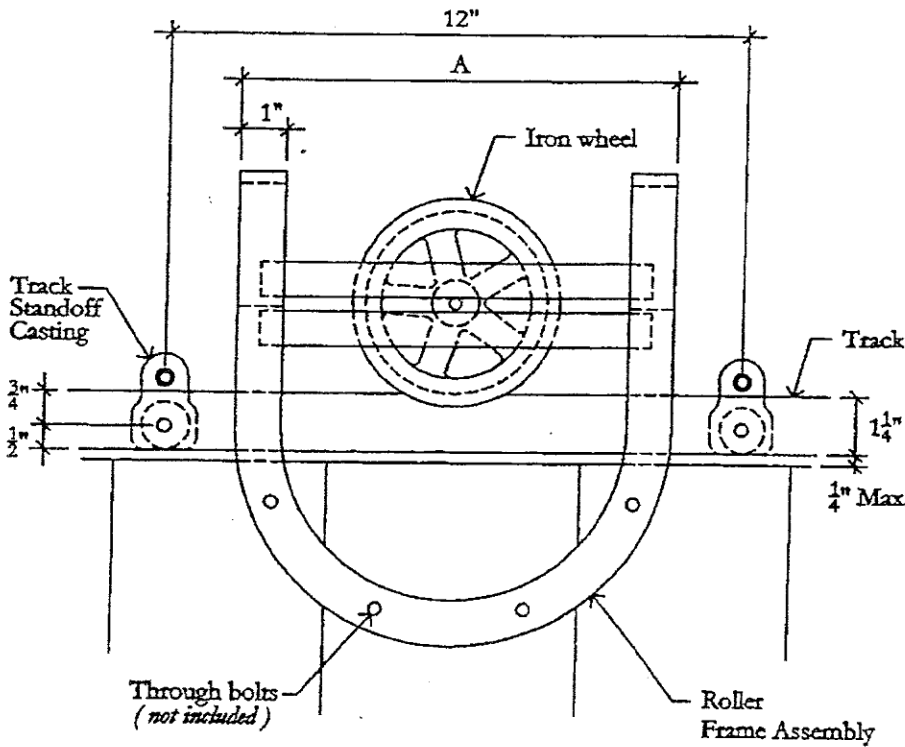
Various applications require different fasteners so customer is to supply fasteners and the through bolts.

### Three sizes of hangers are available: \*

Large	11-1/2" wide
Medium	9-1/2" wide
Small	7-1/2" wide

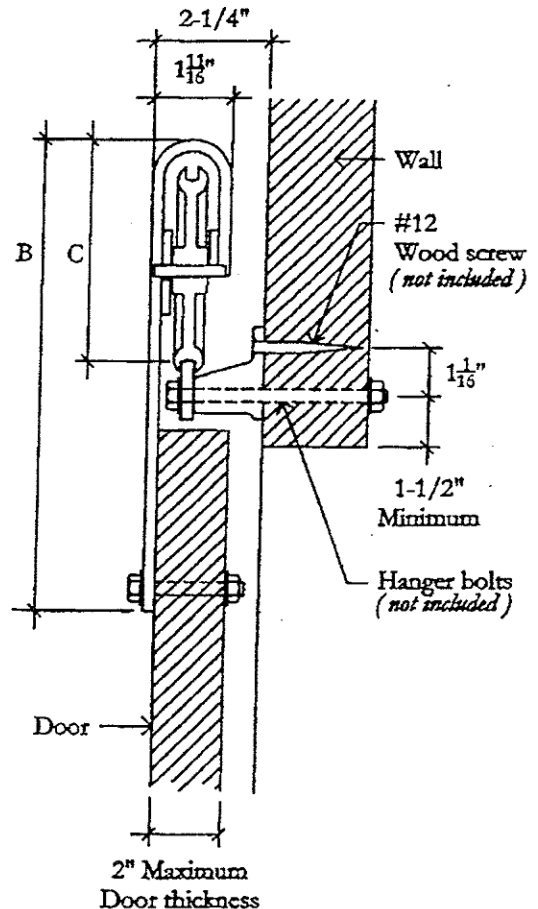
### Track information:

- 6' lengths of track require 7 standoffs
- 8' lengths of track require 9 standoffs
- Track length needs to be approximately twice the width of the door.



Front view of Door Roller

Model	A	B	C
Large	11-1/2"	11-1/4"	4-3/4"
Medium	9-1/2"	10-1/4"	4-3/4"
Small	7-1/2"	9-1/4"	3-1/2"



Cut away side view of Door Roller